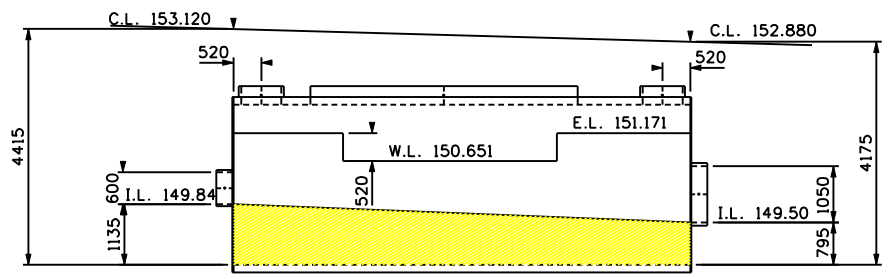
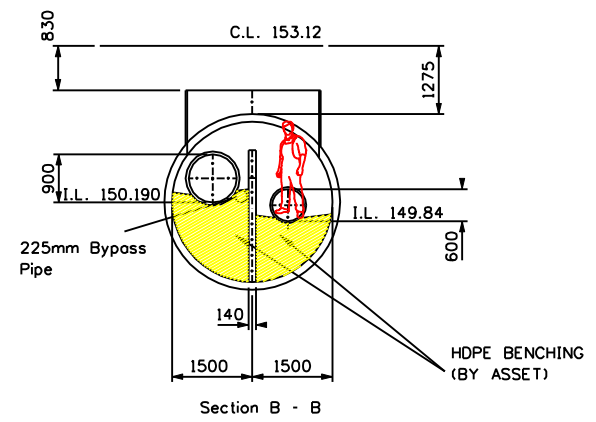
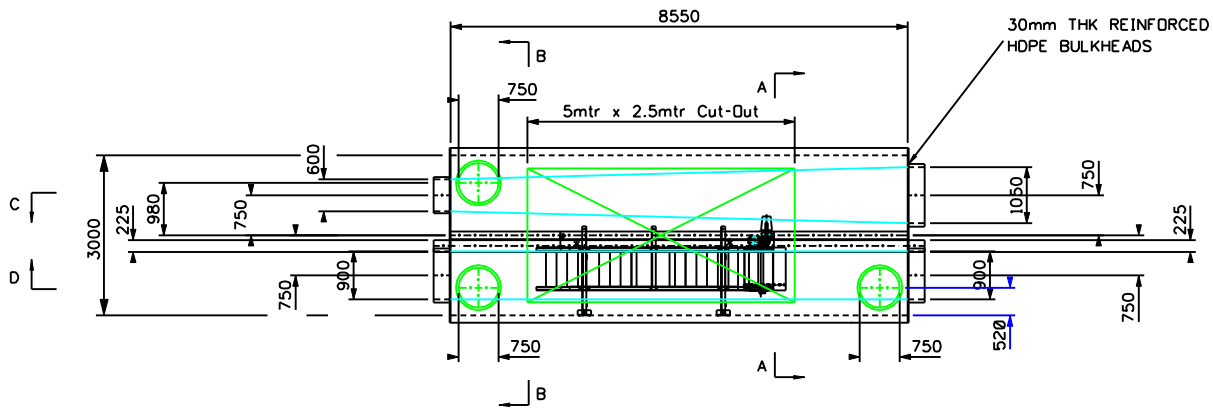
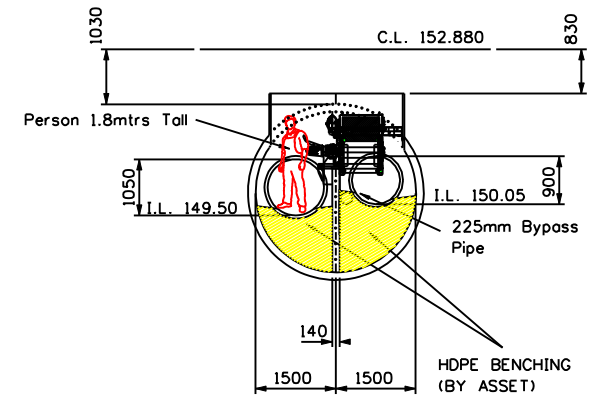


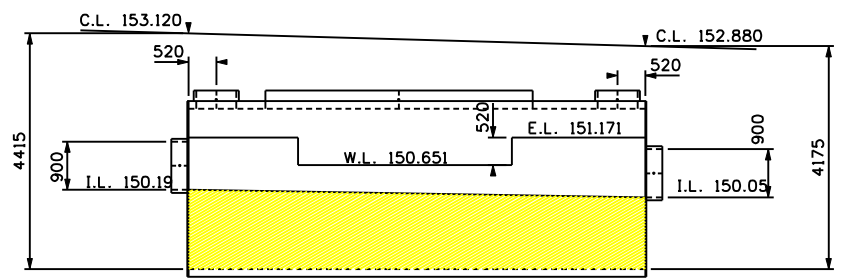
THIS DRAWING AND ASSOCIATED DETAIL ARE THE PROPERTY OF ASSET INTERNATIONAL LTD. AND MAY NOT BE COPIED NOR DISCLOSED TO A THIRD PARTY WITHOUT WRITTEN PERMISSION



Section C - C



Section A - A



Section D - D

BILL OF MATERIALS				
Diameter	Ref.	Length	Quantity	End Prep
3000		8550	1	Plain - Plain
FABRICATIONS				
1050	300		1	Plain - Plain
900	300		2	Plain - Plain
600	300		1	Plain - Plain
750	2000		3	Plain - Plain
LADDERS - ETC.		Type	Quantity	

8	Height Amendments	CE	15/02/06
7	Part 1/1	CB	08/02/06
6	Corrections Amended	CE	27-01-05
5	1500mm dia replaced with 3000mm dia	CE	26-01-05
REV		DR	CHK
DATE	DATE	DATE	DATE
SCALE	PIPE CLASS	DATE	
1 : 50	4 kN/m ²	17-10-05	
TITLE			
LiteSpeed CSD Chamber Quarry Lane			
CLIENT			
Barhole Construction			
<h1>ASSET</h1> <h2>International Ltd.</h2> <p>WHOLESALE HDPE PIPE</p> <p>Stephenson Street, Newport, NP19 4XH</p> <p>Web Site: http://www.aseholte.co.uk</p> <p>Telephone: 01633 271906 Fax: 01633 290519</p>			
DRAWING NUMBER	REV.		
PLA-378	8		