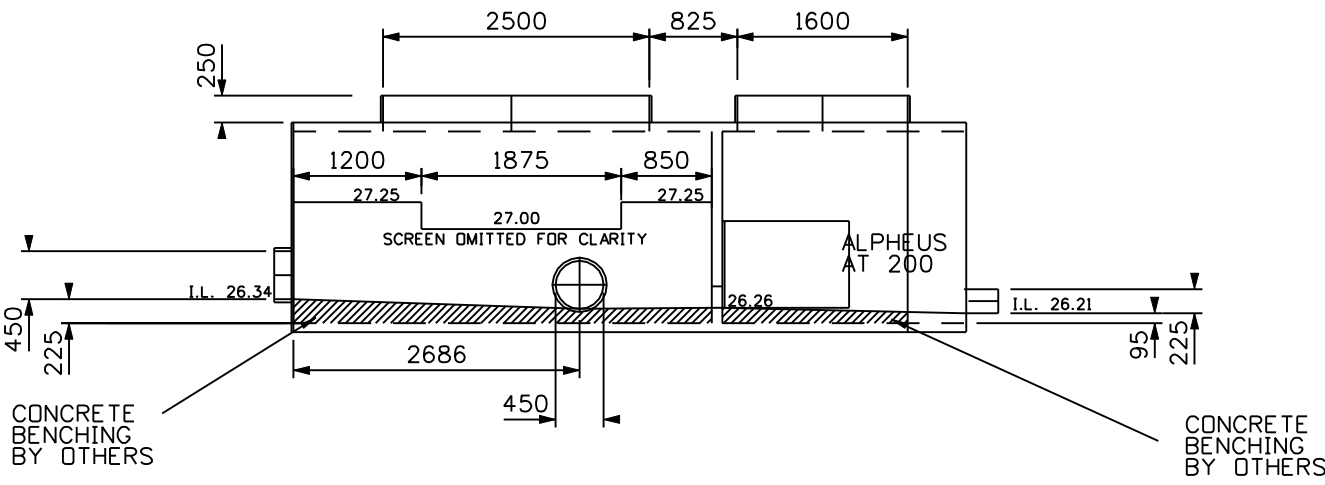
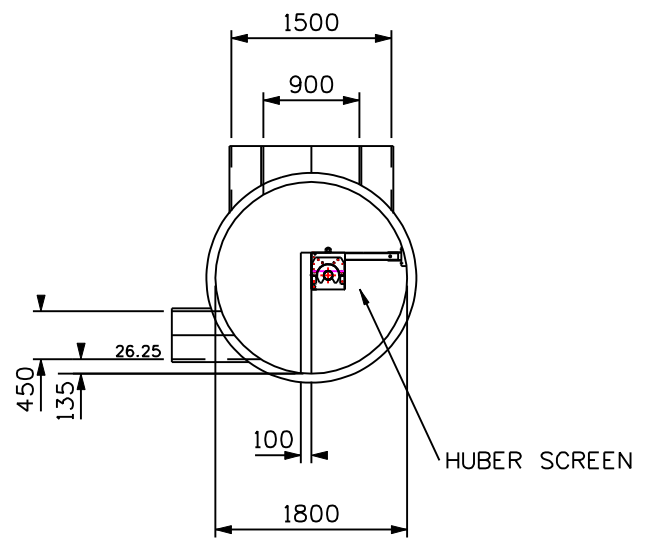
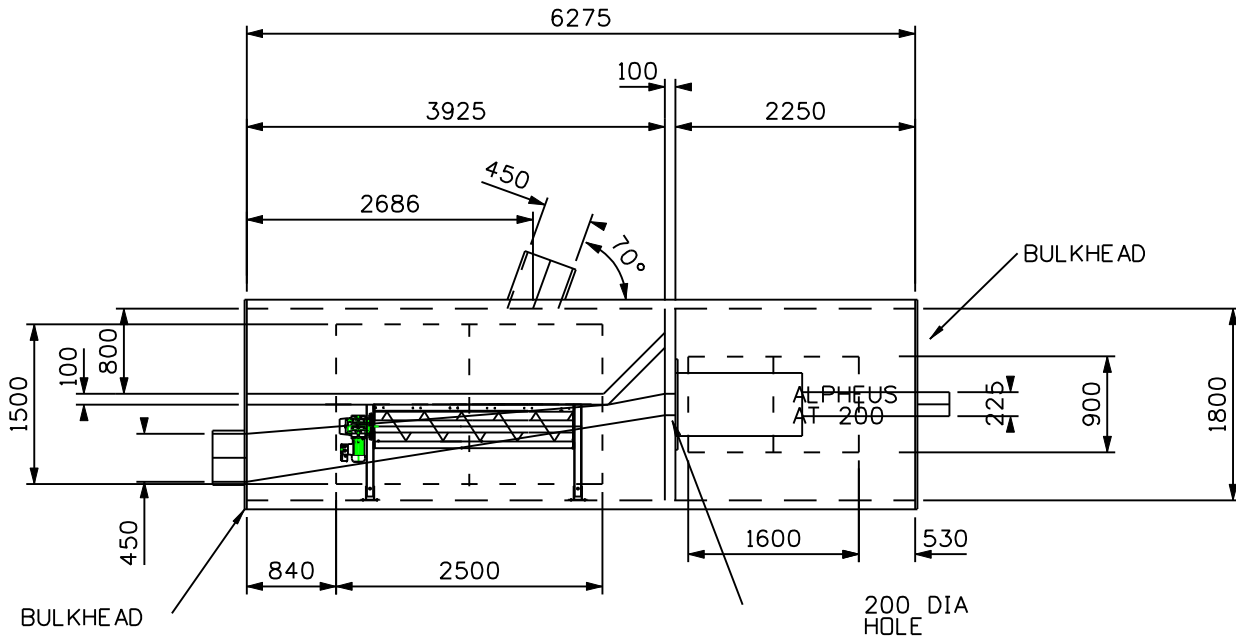


THIS DRAWING AND ASSOCIATED DETAIL ARE THE PROPERTY OF ASSET INTERNATIONAL LTD. AND MAY NOT BE COPIED NOR DISCLOSED TO A THIRD PARTY WITHOUT WRITTEN PERMISSION



C	Vertical alignments	CE	02-09-05	
B	Vertical alignments	CE	31-08-05	
A	Lengthen Screen Area	CE	23-08-05	
REV		DR	CH	DATE
DRAWN BY	CHEKED BY	SCALE	PIPE CLASS	DATE
Carl Evans		1 : 25	2 kN/m <sup>2</sup>	23-02-05
TITLE				
Whitecraig (Litespeed) CSD				
CLIENT				
Huder Consulting				
<b>ASSET</b> International Ltd. WWW.ASSETINTERNATIONAL.CO.UK Stephenson Street, Newport, NP19 4XH Web Site: <a href="http://www.weiolite.co.uk">http://www.weiolite.co.uk</a> Telephone: 01633 271906 Fax: 01633 290519				
DRAWING NUMBER	PLA-230			REV.
				C