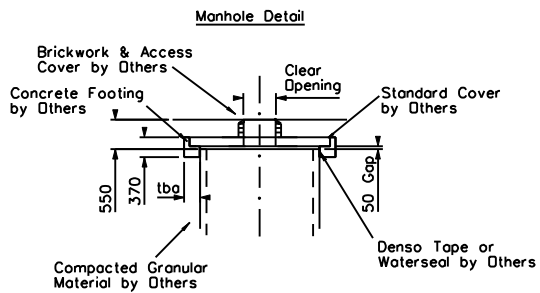
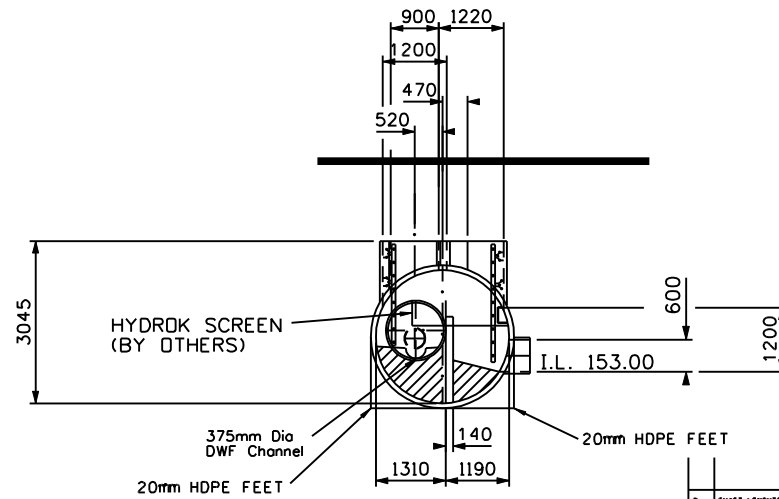
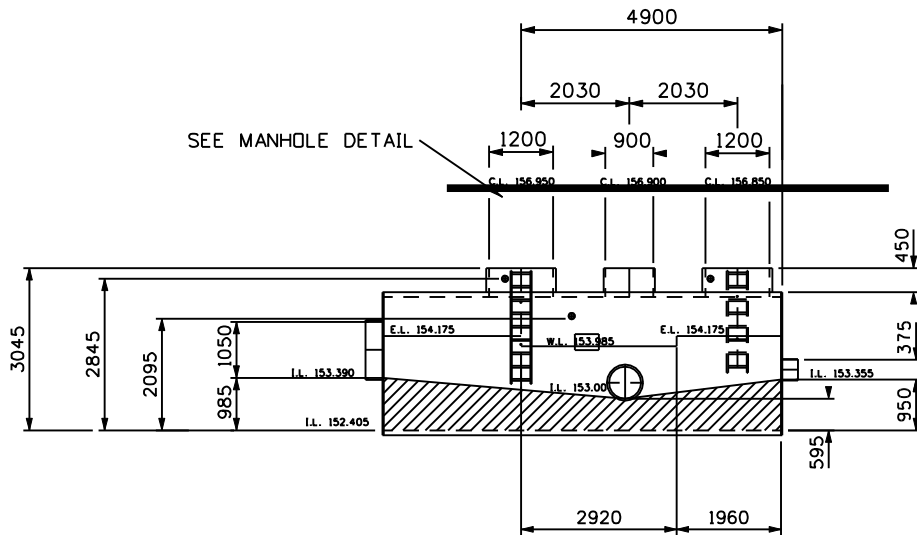
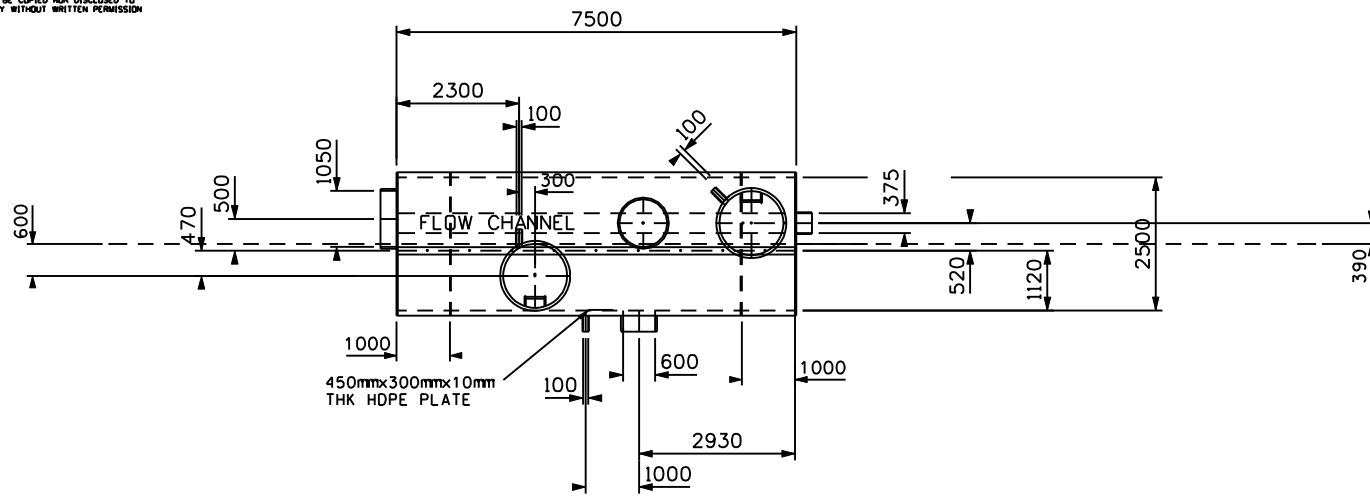


THIS DRAWING AND ASSOCIATED DETAIL ARE THE PROPERTY OF ASSET INTERNATIONAL LTD. AND MAY NOT BE COPIED NOR DISCLOSED TO A THIRD PARTY WITHOUT WRITTEN PERMISSION



| | | |
|--|--|------------|
| REV | DESCRIPTION | DATE |
| B | SHAFT HEIGHTS REDUCED | 11/02/2005 |
| A | LAYOUT CHANGED IN LINE WITH CUST E-MAIL DATED 04/02/2005 | 07/02/2005 |
| DR | DATE | |
| SCALE | 1 : 50 | |
| PIPE CLASS | 2 KPa/m ² | |
| DATE | 31/01/2005 | |
| TITLE | | |
| 2500mm DIAMETER 'LITESPEED' TANK | | |
| CLIENT | | |
| J.N.BENTLEY-(BALDON) | | |
| ASSET International Ltd. WWW.ASSETINTERNATIONAL.CO.UK Stephenson Street, Newport, NP19 4XH Web Site: http://www.woholite.co.uk Telephone: 01633 271906 Fax: 01633 290519 | | |
| DRAWING NUMBER | PLA-199 | REV. B |